

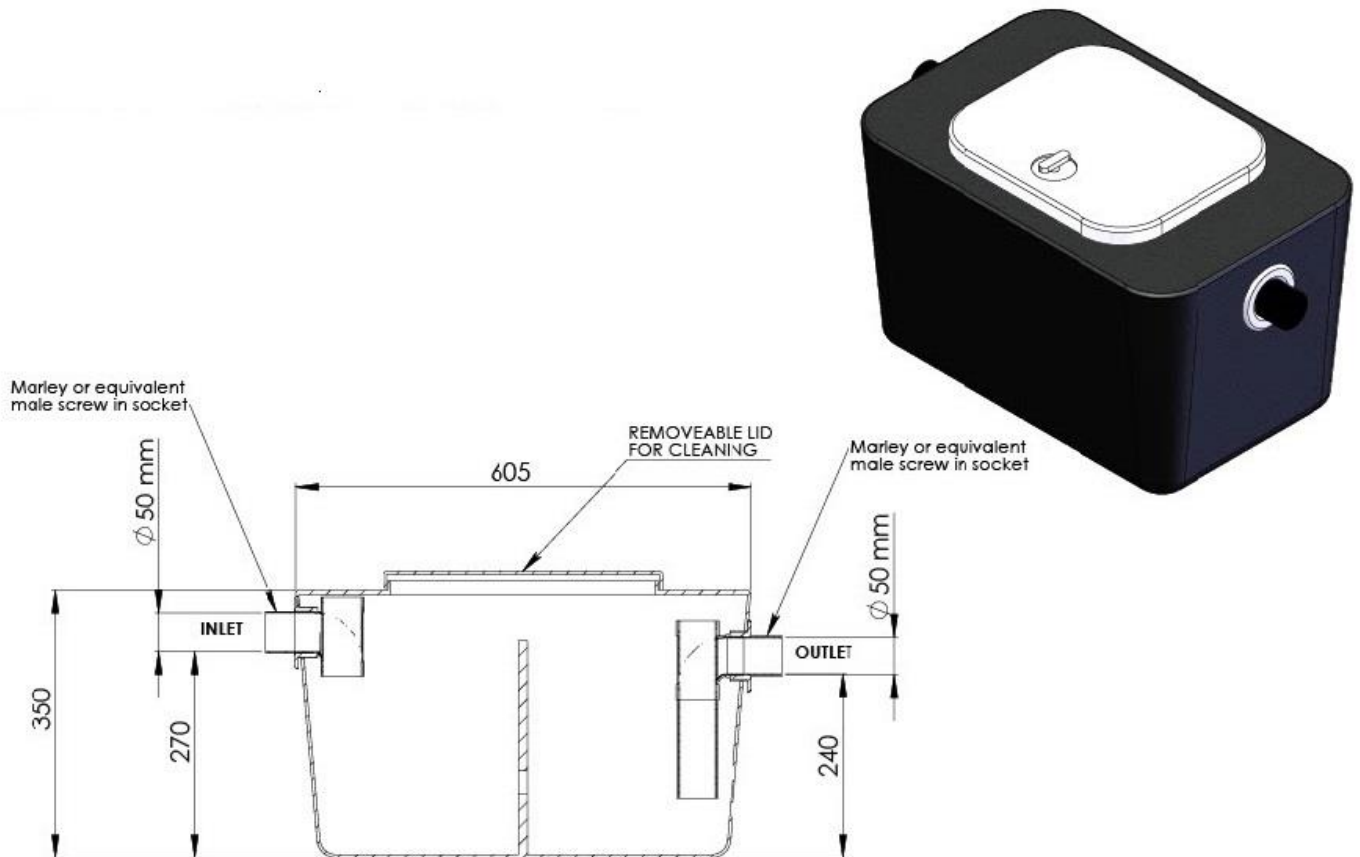


MACTRAP

oil & grease separator specialists

MACTRAP 75L POLYMER

Can be installed under bench internally* or above or below ground externally



Dimensions: 605L x 400W x 350H

- Sink/pick up point should be above inlet height
- Max/Min inlet invert = 270mm
- Max/Min outlet invert = 240
- Inlet and outlet are 50mm female spin socket to take 50mm male PVC pipe coupling
- 0.25L/sec inflow maximum
- <40C operating temperature permitted
- Total volume of inflow sources must be no more than 50% of the 75L
- Allow at least 150mm clearance above the lids on top of the Mactrap grease trap to ensure safe and easy cleaning access

Note: All Mactrap 75L passive traps must be vented

➡ **Check local council position – some councils do not allow passive traps to be installed under bench**

For more information see www.mactrap.co.nz