

## KESSEL ECOGUSS PARKING DECK DRAINS HIGHEST FIRE PROTECTION STANDARDS

### The load bearers made of *Ecoguss*.

An innovation that sets standards: For parking deck drains we use our *Ecoguss* high-tech composite, which combines the specific advantages of polymer and metal and is an economic and easy to install alternative to drains made of grey cast iron. At the same time, parking deck drains made of *Ecoguss* offer large advantages with regard to hygiene as well as fire protection and sound insulation and are extremely load resistant and break-proof. There are therefore ideally suitable for use in underground car parks, multi-storey car parks and industrial buildings.

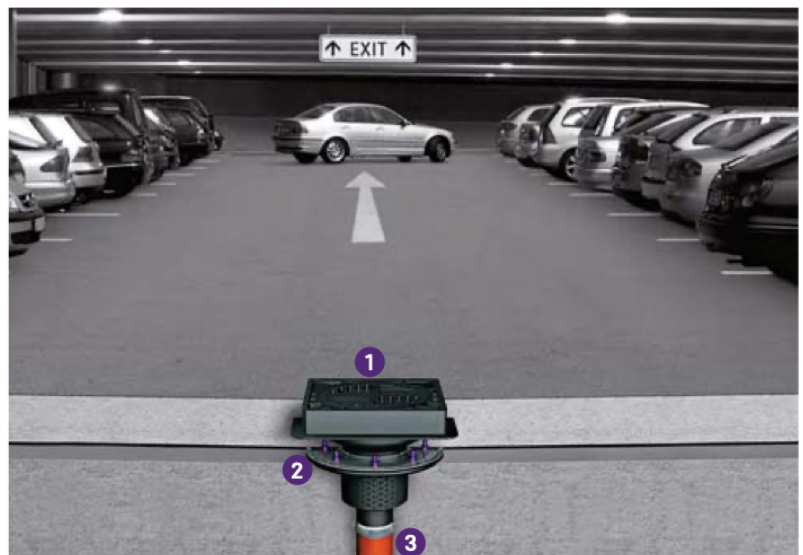
Resistance, convenience, cleanliness - all these are offered by *Ecoguss* - our high-tech composite.

### Break-proof & load resistant

Our parking deck drains made of *Ecoguss* are break-proof and fulfil the requirements for load class B 125. They can be loaded with up to 12.5 tonnes and can be easily driven on by cars or pick-up trucks.

### Highest fire protection standards

In case of fire, water outlets constitute a risk, as the fire can pass through the discharge pipes and spread to other parts of the building. Our drains can be equipped with the *Fire-Kit* fire and smoke protection insert or the *Quick-Fit* passage seal with integrated fire protection. As soon as fire penetrates the drain body, the fire protection compound inside it swells automatically and seals the pipe socket against flames and smoke. Not only the *Fire-Kit* but also the *Quick-Fit* fulfil the highest fire rating R 120.



1 Upper section 2 Sealing flange 3 Connection to SML-pipe

## Parking deck drain *Ecoguss*

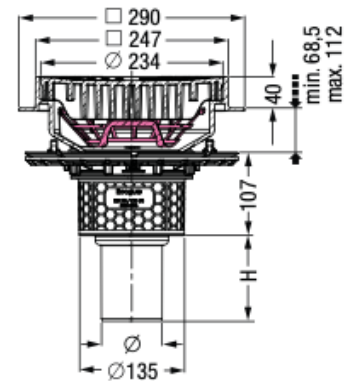
With pressure sealing flange in stainless steel AISI 304

Made in *Ecoguss*

- Vertical outlet, for connection to pipe, with sludge trap.
- Drainage capacity 4.5l/sec flow rate.
- Installation are 300mm x 300mm.
- Square upper section in *Ecoguss*
- Round slotted cover in *Ecoguss*, class B (12.5 tonnes)
- Lock and Lift system.

### Note:

Core drilling only 160mm with quick fit.



## Parking deck drain *Ecoguss*

Square or round

Made in *Ecoguss*

- Vertical outlet, for connection to pipe, with sludge trap.
- Drainage capacity 4.5l/sec flow rate.
- Installation are 300mm x 300mm.
- With square (247mm x 247mm) or round (247mm).
- Square or round upper section in *Ecoguss*
- Round slotted cover in *Ecoguss*, class B (12.5 tonnes)
- Lock and Lift system.

### Note:

Can be used as single piece pipe connection drain..



Illustration shows Art. no. 48 502

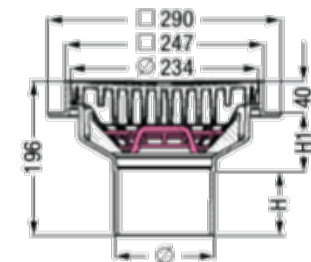


Illustration shows Art. no. 48 501, 48 502

