

Tailor-made.

Our
individual
solutions.

Ø 1250

Ø 1300



(Almost) limitless.

Our possibilities.

For over 20 years we have been developing tailor-made drainage solutions for the specific requirements of our customers. Our extensive knowledge of polymer engineering enables us to respond to your particular needs at any time. This means we can offer you almost unlimited product variety. To date, we have successfully installed around 20,000 customised solutions.

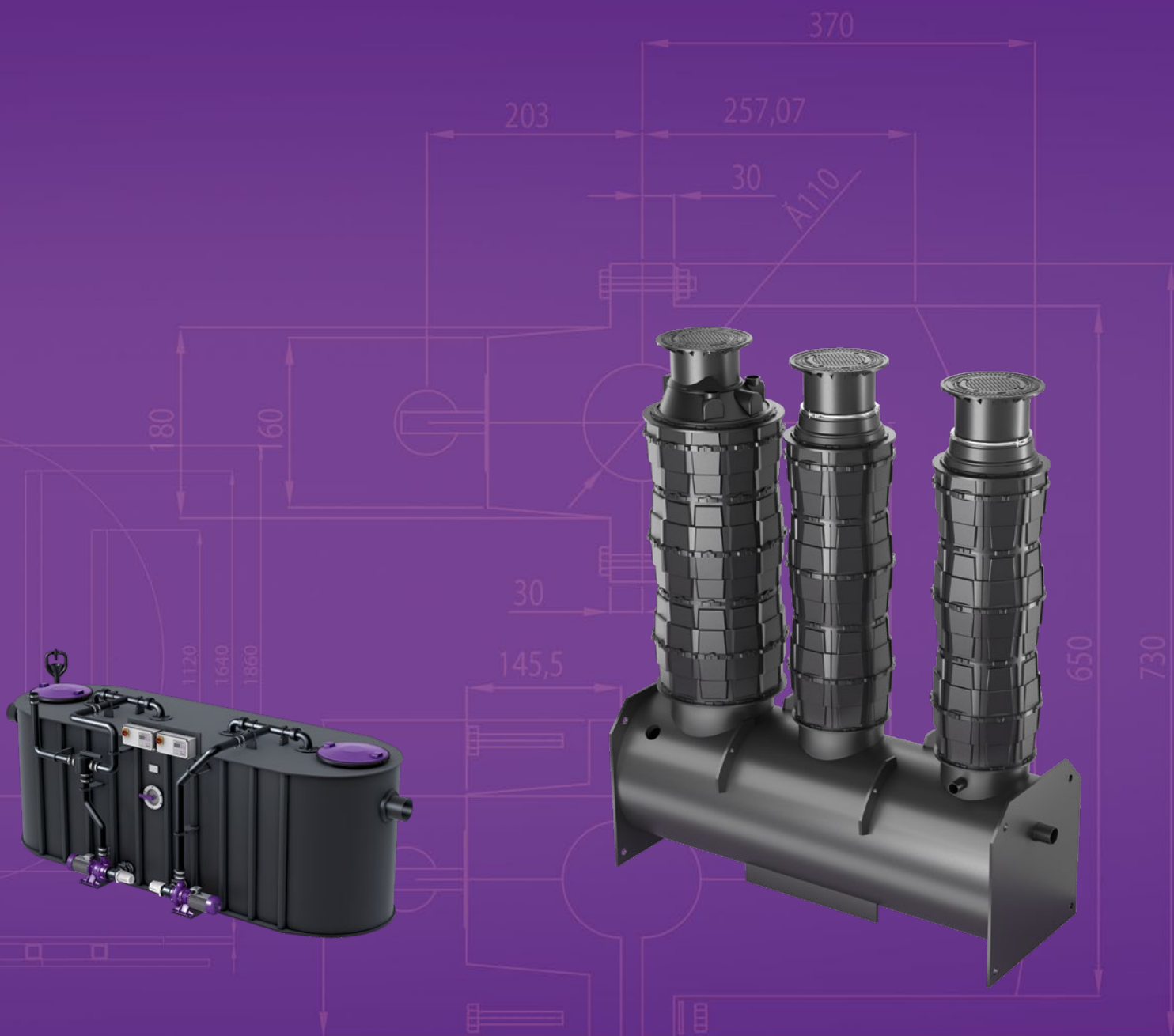
Our product areas

- Lifting stations
- Drain technology
- Separator technology
- Hybrid lifting stations
- Backwater protection
- Chambers



Standard solution

Draining water, treating wastewater, protecting against backwater: all the standard drainage tasks are covered by our standard portfolio.



Product adaptation

If certain form, function and/or if the product requirements are not standard, we modify the product to meet the specifications.

New development

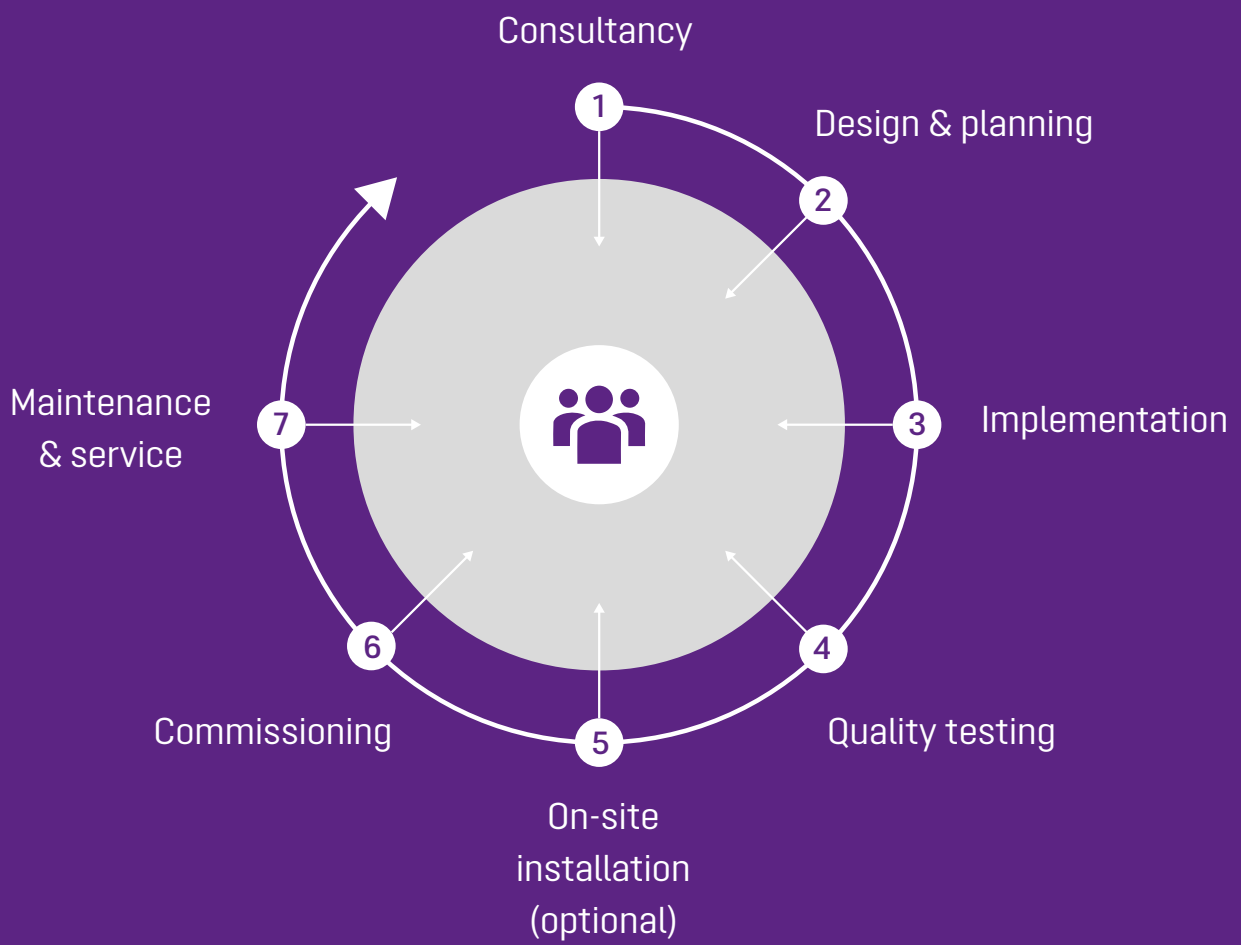
If the range of tasks differs from the usual framework to an extreme extent, we also develop completely new products for your specific application.

Comprehensive.

Our service.

The contact for our individual solutions is the department bearing the same name. Here our developers, production staff and technicians work hand-in-hand to design, produce and maintain your perfect drainage solution. During the entire process, the focus is on achieving the greatest possible flexibility and close consultation with you as our customer.

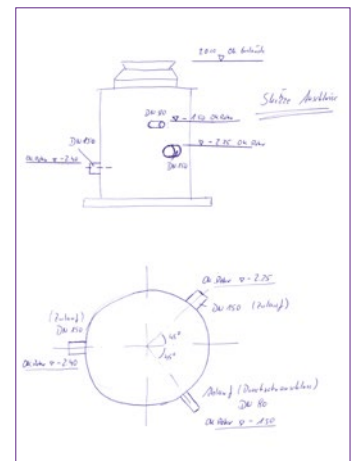
Our all-inclusive service package covers all project phases, from the initial idea through to regular servicing work. Appropriately qualified experts are available for each area – for example, for tool/mold making, design and special processing methods. Thanks to our integrated approach, you not only profit from a product best tailored to your needs, but also from our extensive services for maximum convenience.



Structured.

Our approach.

With our process-orientated approach, we ensure the consistently high quality of our individual solutions. You and your requirements are always the focus of each step towards your tailor-made drainage solution.



1 Consultancy

At the start of each individual solution there is a drainage task, which cannot be handled using standard products. Our experts are pleased to consult with you in detail to determine, together with you, what requirements your tailor-made product must fulfill. If necessary, our sales representative also surveys the situation or takes measurements on site in order to best satisfy the on-site requirements.

At a glance

- Checking local circumstances
- Extensive consultation
- If necessary, survey of existing situation/measurement on site

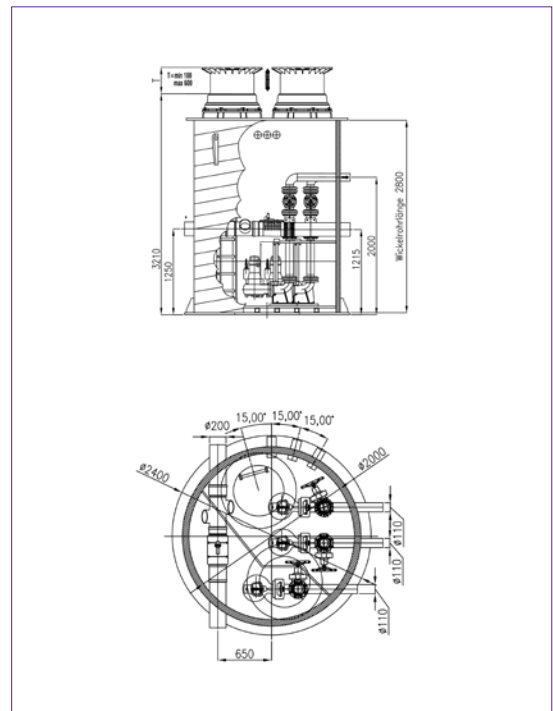


2 Design & planning

As soon as all the requirements have been clarified, our designers design your individual solution. In doing so, they make a particular point of ensuring that the acquisition and operating costs remain within the economic framework and all standards and regulations are fulfilled. You then receive your individual offer. After you have given your approval we produce detailed design drawings for you in AutoCAD or SolidWorks in the required format (.dwg, .step or similar).

At a glance

- Design of your individual solution
- Economic costs framework
- Comparison with standards and regulations
- Individual offer
- Preparation of design drawings in AutoCAD or SolidWorks





3 Implementation

After we have received your order, you receive the drawings for final approval. When the product meets your full requirement, you give the final approval and you release the drawings for production. We now create the final production drawings, parts lists and work plans. We then inform you of your delivery date and start production of your individual solution.

At a glance

- Order and release of the design drawings
- Consideration of required changes
- Creation of the final production drawings, parts lists and work plans
- Confirming the delivery date
- Production start



“We do our best to make sure that you are 100% satisfied.”

Thomas Schwarzbäcker
Head of Individual Solutions Department



4 Quality testing

To ensure an optimum result, our qualified production staff are in continuous dialogue with the designers. After your product has been completed, it is subjected to extensive and strict quality controls. The result: individual solutions product which operate fault free for many years to come.

At a glance

- Continuous exchange between production and design departments
- Extensive, strict quality controls
- Ensuring fault-free operation

5 On-site installation

If necessary, we assemble and install your individual solution directly on site. To this end, our sales representative visits the site first. The ready-made and tested components are then delivered and welded. After a final quality test your drainage product is ready for commissioning.

At a glance

- Visit to site by the sales representative
- Delivery and welding of ready-made and tested components
- Final quality test





6 Commissioning

As soon as installation of your individual solution is finished it is commissioned by our technicians. Commissioning includes all operating parameters set to the exact site requirements and the persons responsible in your company are instructed in how to operate the system. This is followed by the proper handover and you receive the relevant documents for your information and records.

At a glance

- Fine adjustment of the system by our technicians
- Briefing of the personnel responsible
- Proper handover including documentation

7 Maintenance & service

Our specially trained factory customer service is available during the entire operational life of your individual solution, to perform regular maintenance and repair work. In this way we ensure the maximum service life and availability of the system; faults are reduced or eliminated completely. Should an incident nonetheless occur, you receive help quickly thanks to our qualified emergency service.

At a glance

- Regular maintenance by the factory customer service
- Maximum service life and availability of the system





Online enquiry
www.kessel.com/individual



Ask us!

Email:
info@kessel.com

Phone
+49 (0) 8456 / 27 463

You can submit your enquiry on www.kessel.com/individual or by email or phone.

Checklist

- Your individual dimensions
- Sketches and/or drawings
(if available, 2D or 3D drawing
as .dwg file)
- Description of the area of
application

Center Parcs Park Allgäu

KESSEL technology underground
for heavenly conditions on the surface.

Town, Country

Leutkirch im Allgäu, Germany

Year of construction

2017

Building type(s)

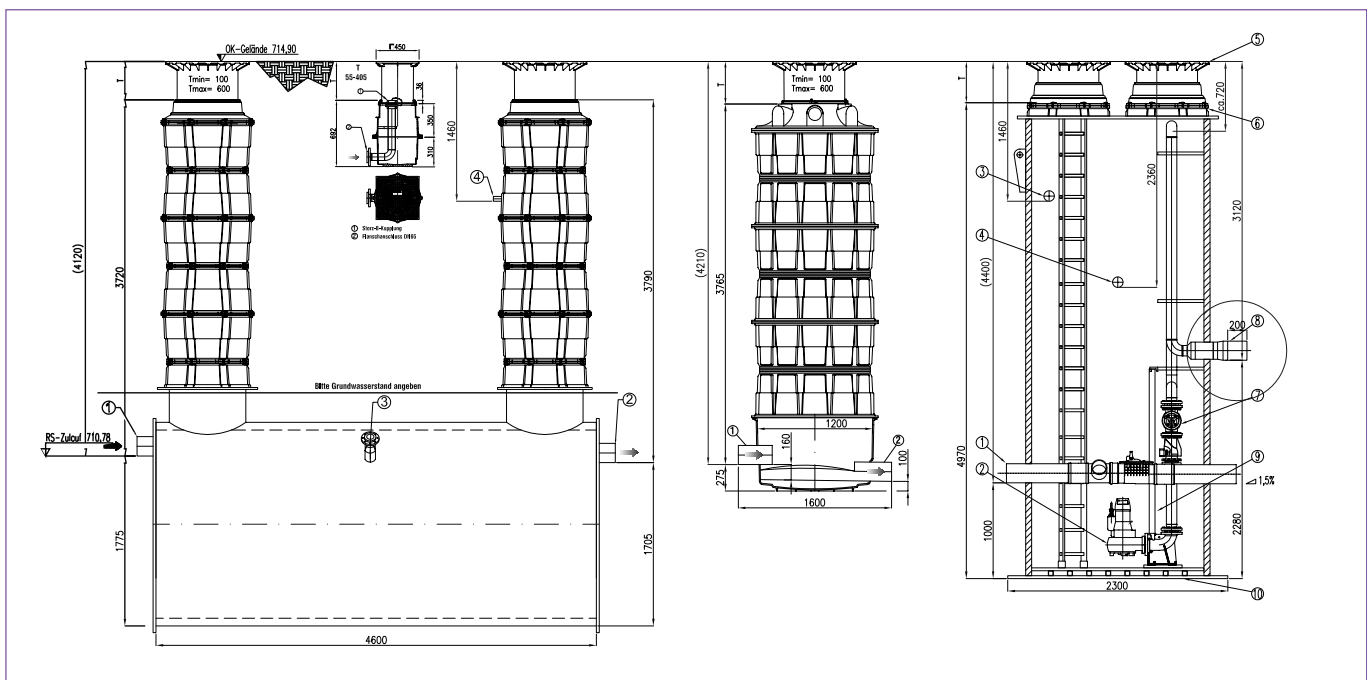
Leisure and sports complex

Product(s)

EasyClean NS 40 Direct grease separator,
Ecolift XXL hybrid lifting station in DN 1800 twin
walled re-enforced pipe



From the Aqua Mundo water park to the tropical Market Dome with shops, restaurants and beer garden: the new "Center Parcs Park Allgäu" is a real holiday paradise. One of the reasons guests can enjoy a carefree holiday is reliable KESSEL technology.



EasyClean NS 40 Direct grease separator with sampling device and Ecolift XXL hybrid lifting station in the twin walled re-enforced pipe

Requirements

High reliability and low operating costs.

Installation in the ground requires groundwater resistance.

The wastewater from four jointly managed restaurants must be disposed of.

Solution

Ecolift XXL hybrid lifting station with reduced power consumption and low wear & tear costs.

Use of durable, renovation-free polymer.

Lower maintenance costs, energy consumption and wear.

Hörnlihütte

Ski lodge at 2,513 metres altitude.



Town, Country

Arosa, Switzerland

Year of construction

2016

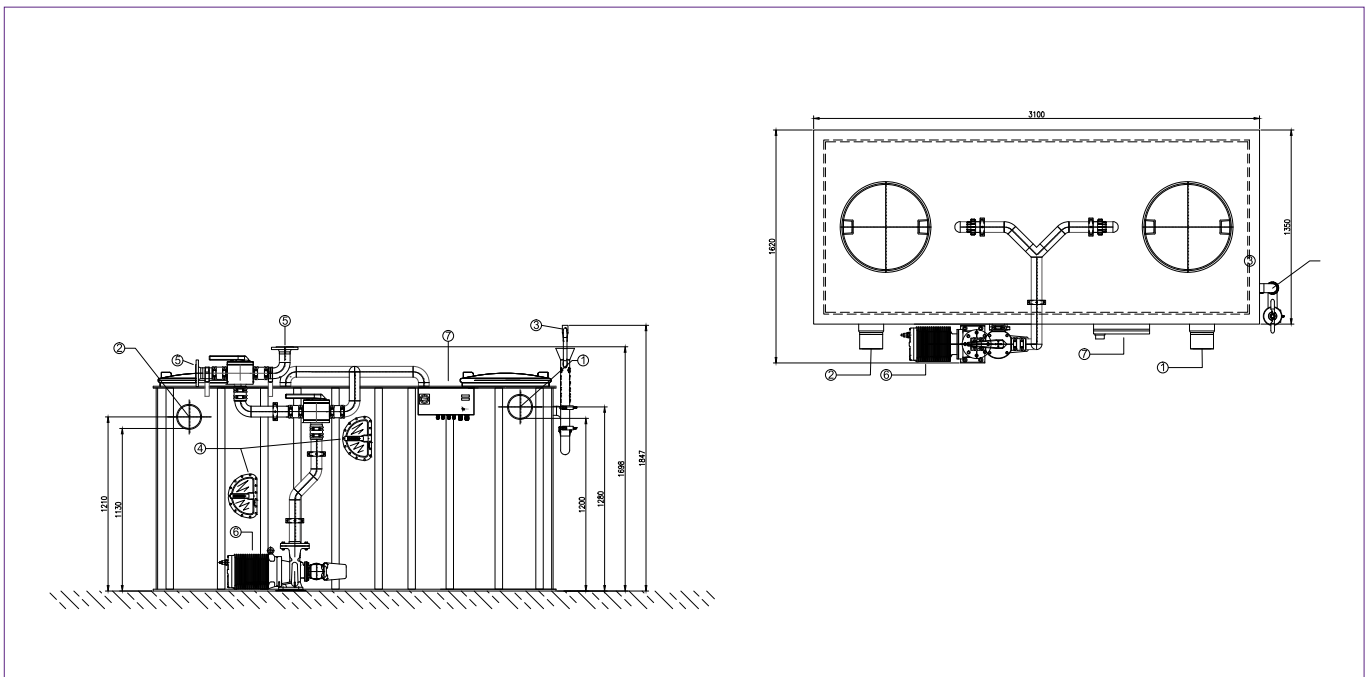
Building type(s)

Hotel, catering

Product(s)

Custom-made *EasyClean* NS 15 Auto Mix & Pump grease separator

In 1923 the Arosa Ski Club decided to build a ski lodge at the highest point of the Hörnli ridge (2,513 metres), and this has been catering for guests ever since. Various extensions and conversions have turned the Hörnlühütte into an impressive restaurant with overnight stays also possible for non-club members.



EasyClean NS 15 grease separator

Requirements

Automatic, program controlled disposal of the separator contents without odour emissions.

Difficult transport conditions due to the altitude.

Individually adapted solution for the grease separator, which is oriented towards the existing premises and required tank volume.

Solution

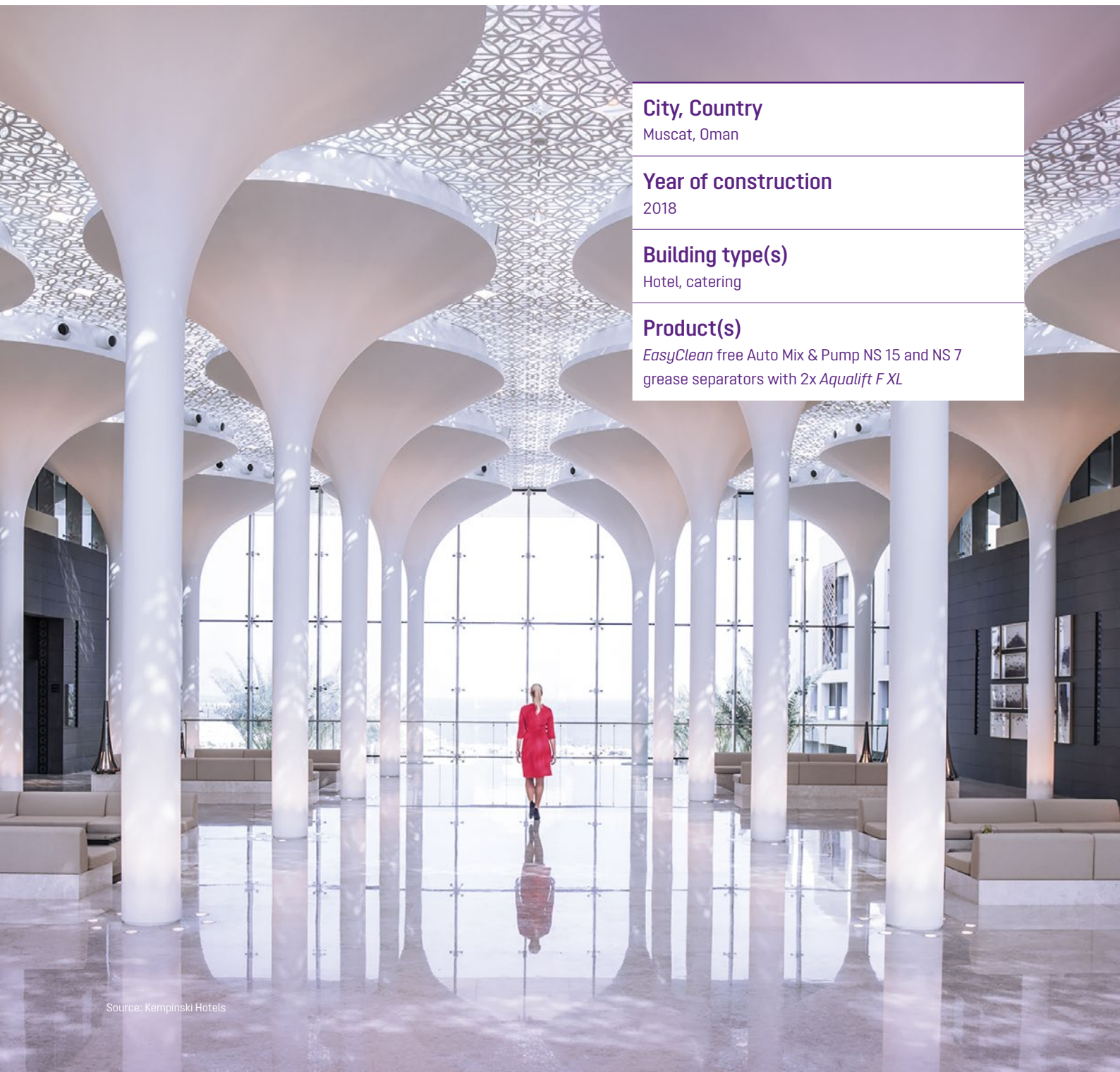
Reliable, fully-automatic disposal without odour nuisance.

The polyethylene material used for KESSEL separators is so light that transport by helicopter is possible.

Maximum flexibility through individual configuration and modular assembly with on-site welding by a KESSEL installation team.

Kempinski Hotel Muscat

Fantastic memories guaranteed.



City, Country

Muscat, Oman

Year of construction

2018

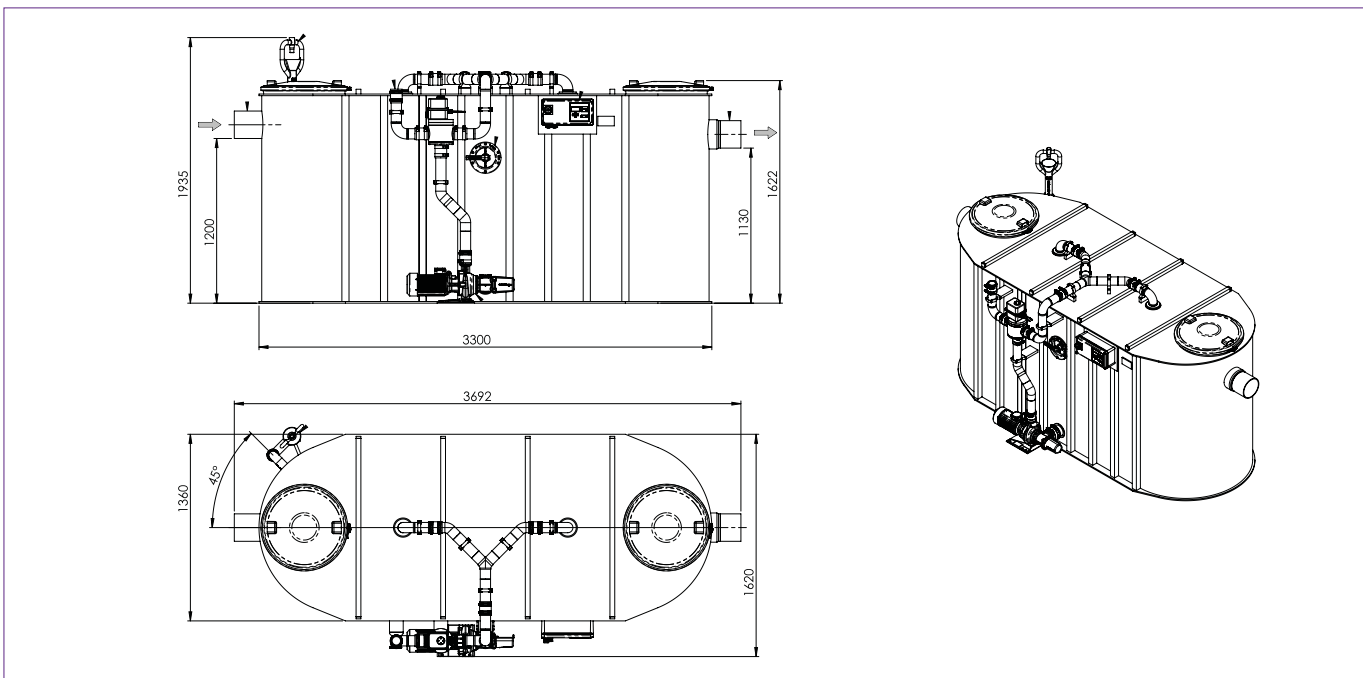
Building type(s)

Hotel, catering

Product(s)

EasyClean free Auto Mix & Pump NS 15 and NS 7
grease separators with 2x *Aqualift F XL*

In the beautiful and modern area of Al Mouj, Muscat the 5-star Kempinski Hotel with its breathtaking six kilometer coast offers incomparable luxury in the capital of Oman.



EasyClean NS 15 Auto Mix & Pump grease separator

Requirements

Automatic, program controlled disposal of the separator contents without odour emissions.

The customer is looking for a complete solution for grease separators and lifting stations from a single source.

Flexible execution is required.

Solution

Reliable, fully-automatic disposal without odour nuisance.

KESSEL offers complete solutions comprising grease separators, matching lifting stations as well as suitable accessories.

The lifting stations and grease separators provide a large tank volume, but nonetheless are ideally suitable for rooms with very narrow entrances.

Audi Sportpark

A home match
for drainage technology from KESSEL.

**City, Country**

Ingolstadt, Germany

Year of construction

2010

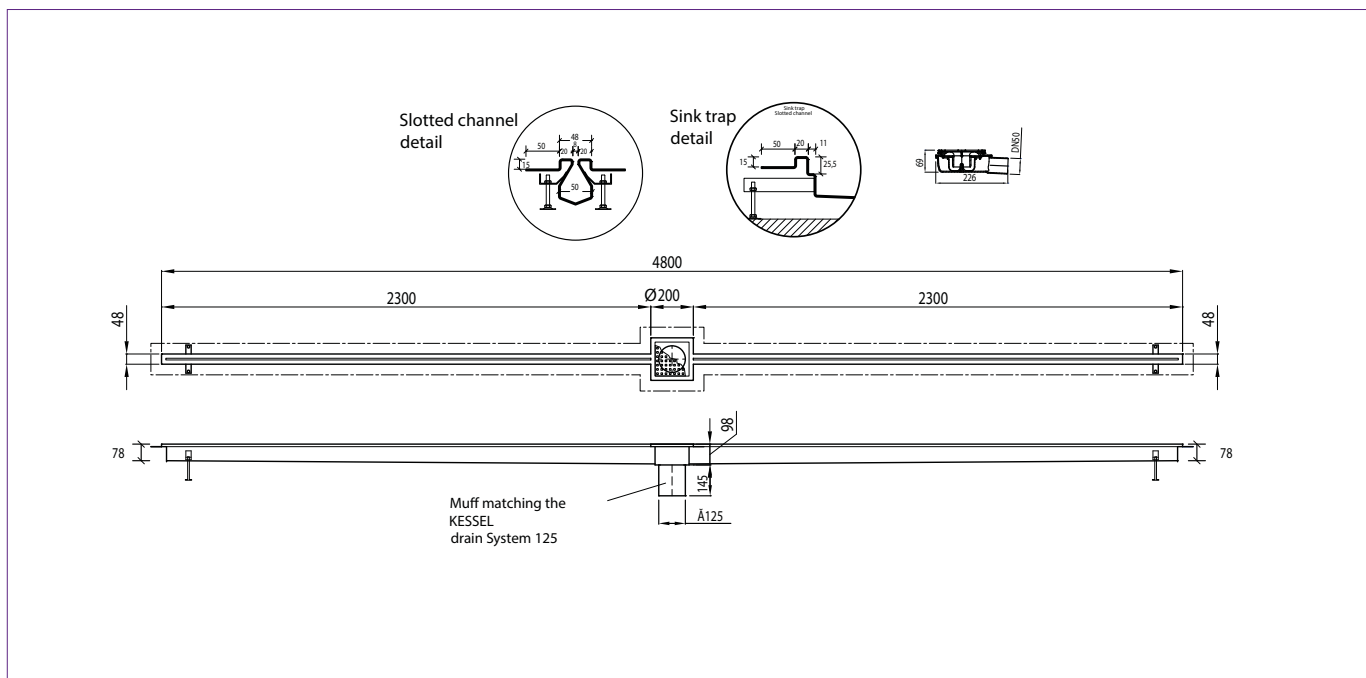
Building type(s)

Leisure and sports complex

Product(s)

7x grease separator *EasyClean* ground NS 4 and
1x NS 15 with sampling device,
80x floor drain *Ecoguss* with *Fire-Kit* and
Variofix shallow bed upper section or upper section
14x slotted channel *Ferrofix*

The Audi Sportpark is not only one of the most modern stadiums in Europe and home to FC Ingolstadt 04, it is also used as a location for events of all kinds. Such huge events make maximum demands on drainage. KESSEL rises to the challenge: as a powerful partner, we deliver solutions for every dimension.



Slotted channel *Ferrofix* System 125

Requirements

- _____ The limit values must be complied with safely at all times.
- _____ The equipment should be durable and easy to clean.
- _____ Particularly long channels are required for the showers.

Solution

- _____ Our tried-and-trusted polymer grease separators guarantee safe wastewater cleaning.
- _____ State-of-the-art materials such as polyethylene and *Ecoguss* are extremely durable and easy to clean.
- _____ Our tailor-made shower channels are ideal for commercial rooms with special hygiene requirements.



Specialised.

Our experts.

Our individual solutions department includes specialists from all kinds of different specialist areas. With our comprehensive expertise, we are able to rise to any challenges.

From consultation and planning to design and production through to administration: numerous KESSEL employees are ready to make a contribution in their respective special area of expertise to develop the ideal drainage solution for you. A separate team with all the appropriate skills for the respective requirements is put together for each new project. You can see: we deal with everything individually, even at the organisational level!



Our experts
are always there for you:

info@kessel.com

+49 (0) 8456 / 27 463

KESSEL AG

Bahnhofstraße 31 • 85101 Lenting • Germany

www.kessel.com